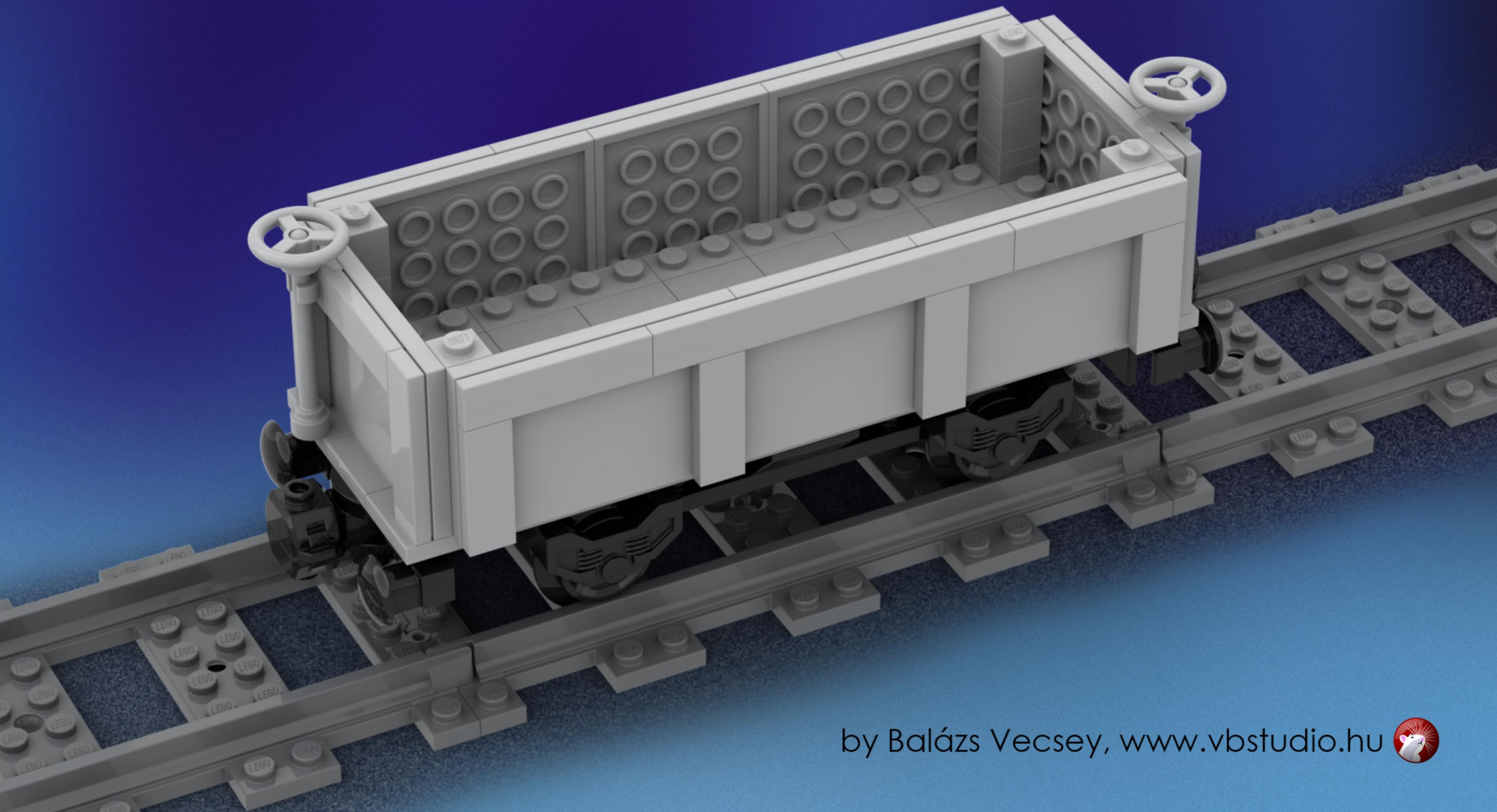
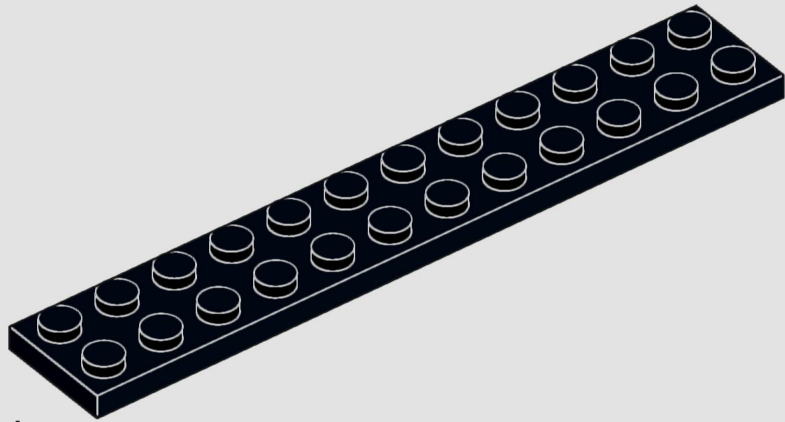


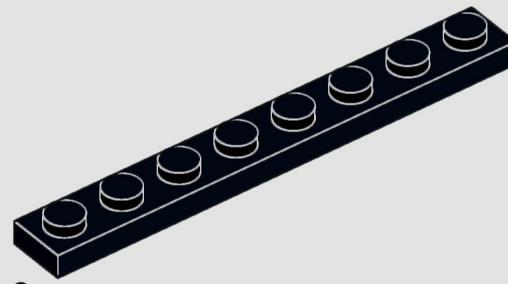
Open Cargo Wagon



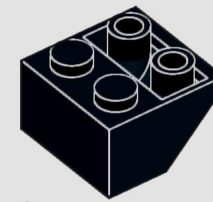
by Balázs Vecsey, www.vbstudio.hu 



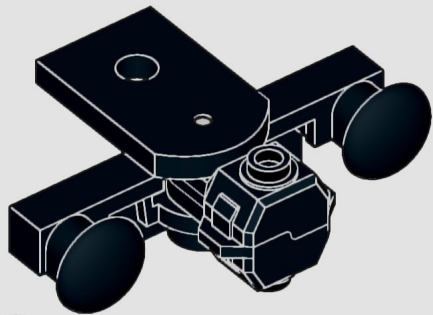
1x
2445
Black



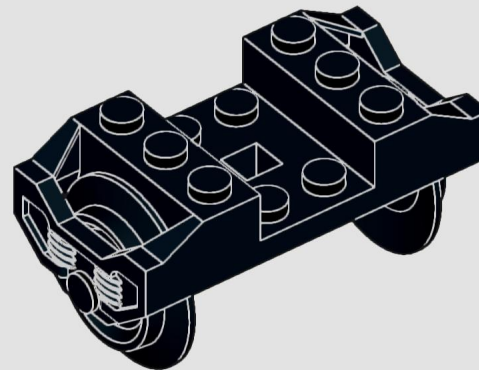
2x
3460
Black



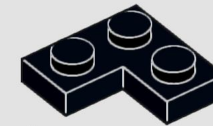
2x
3660
Black



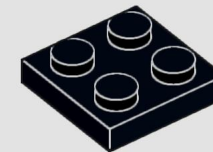
2x
91968c01
Black



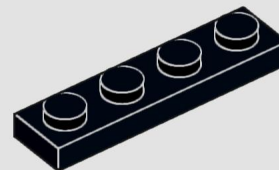
2x
2878c01
Black



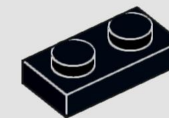
4x
2420
Black



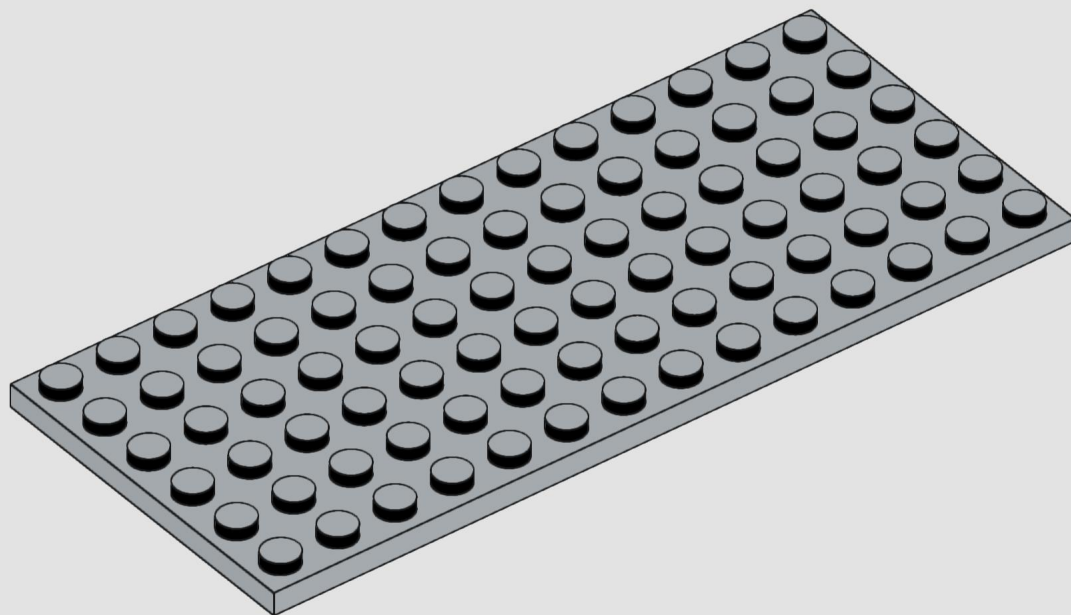
2x
3022
Black



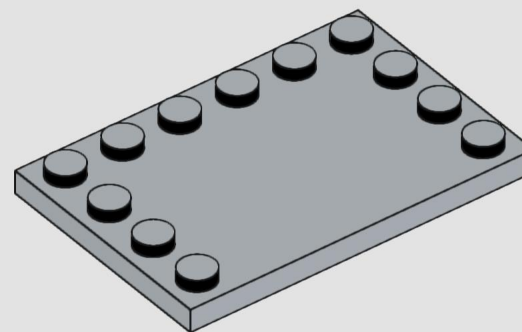
2x
3710
Black



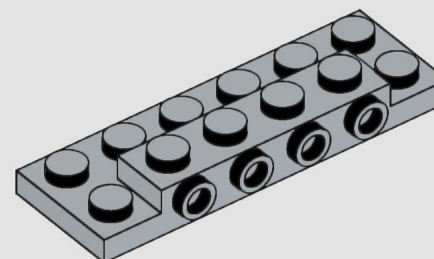
4x
3023
Black



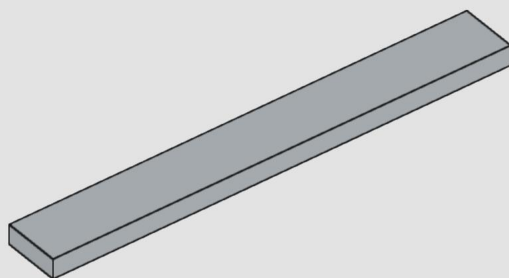
1x
3456
Light Bluish Gray



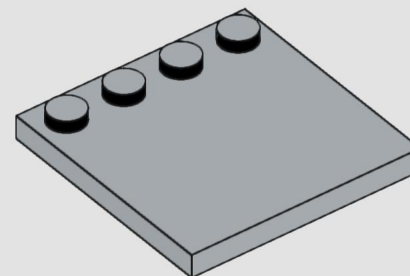
6x
6180
Light Bluish Gray



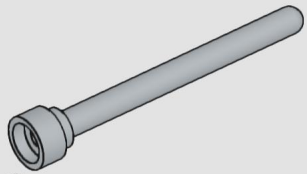
6x
87609
Light Bluish Gray



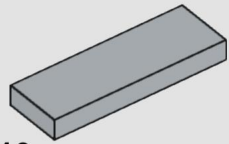
2x
4162
Light Bluish Gray



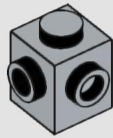
2x
6179
Light Bluish Gray



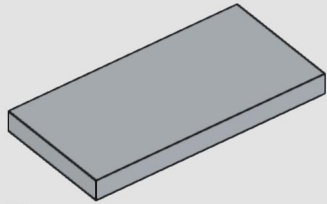
2x
3957
Light Bluish Gray



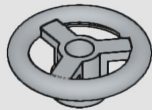
10x
63864
Light Bluish Gray



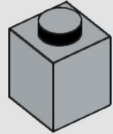
4x
26604
Light Bluish Gray



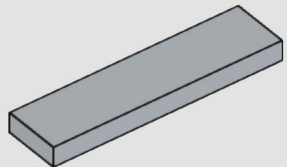
7x
87079
Light Bluish Gray



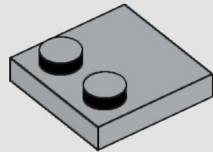
2x
30663
Light Bluish Gray



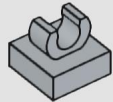
4x
3005
Light Bluish Gray



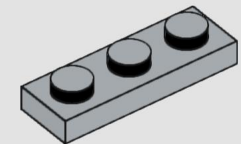
8x
2431
Light Bluish Gray



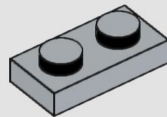
6x
33909
Light Bluish Gray



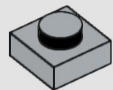
2x
15712
Light Bluish Gray



4x
3623
Light Bluish Gray

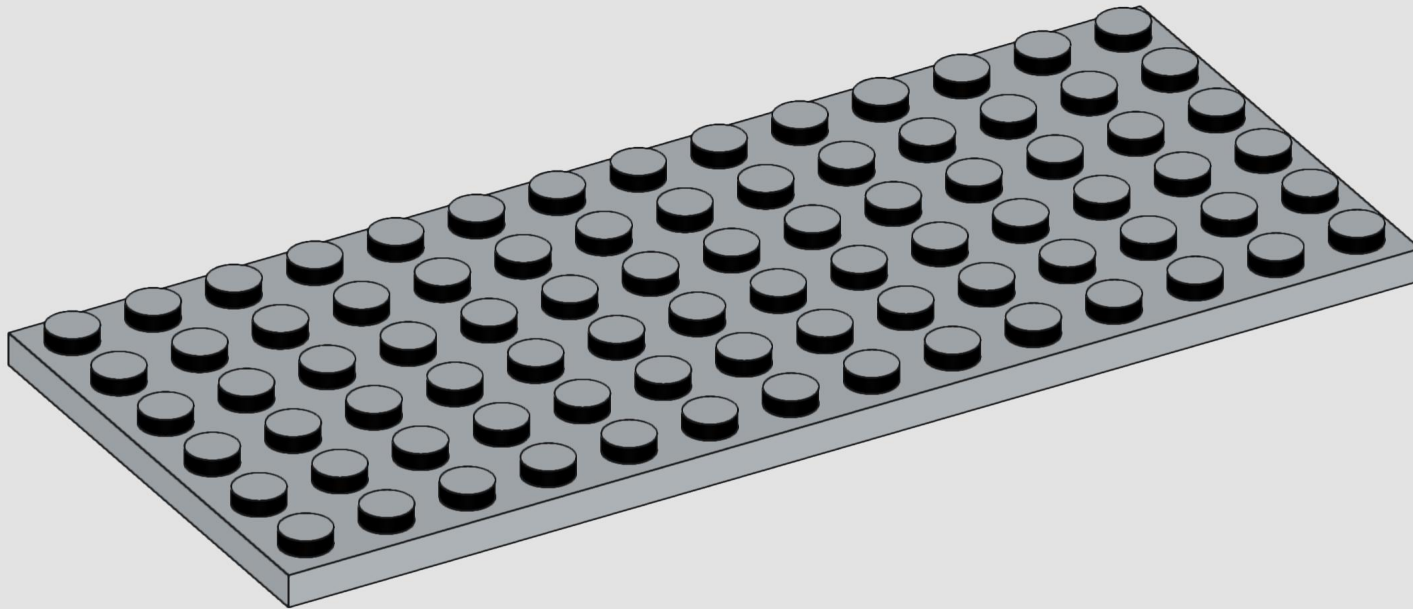
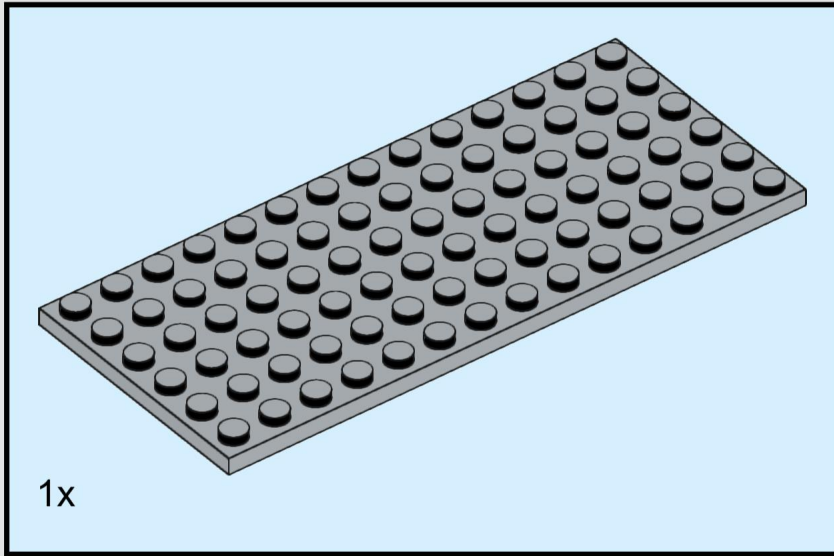


2x
3023
Light Bluish Gray

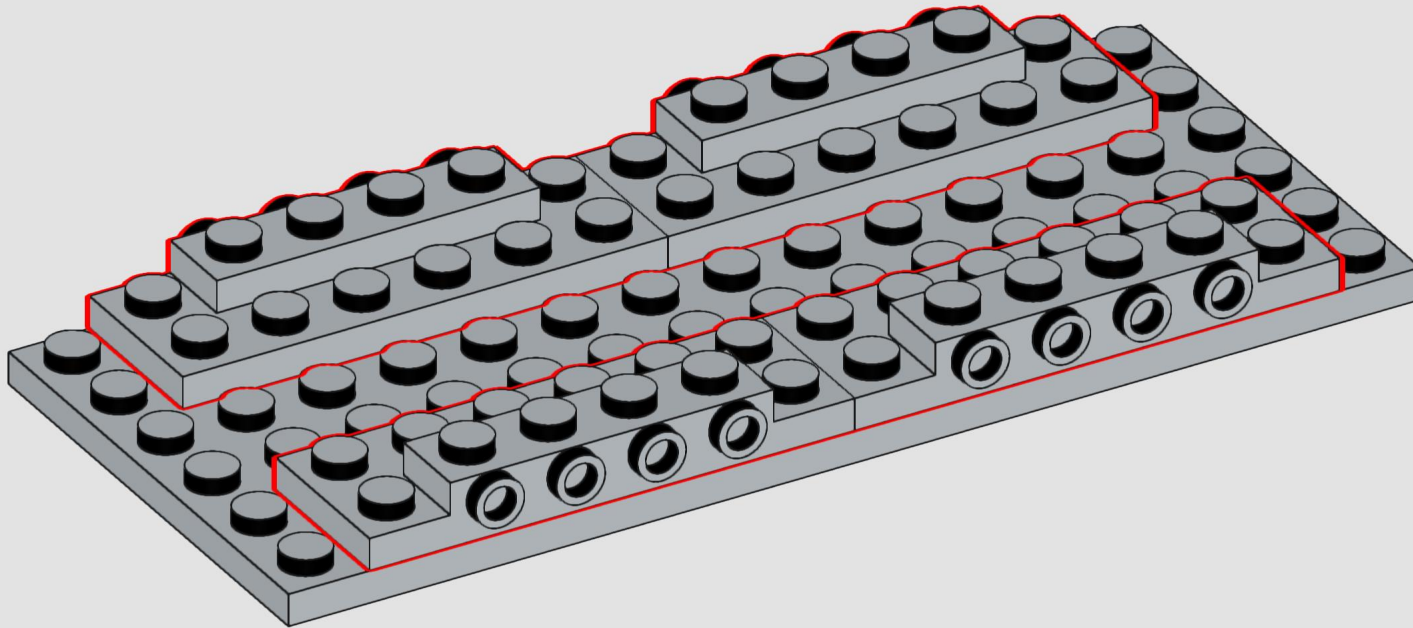
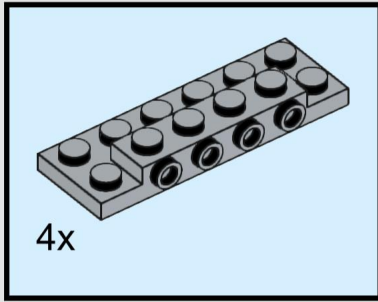


8x
3024
Light Bluish Gray

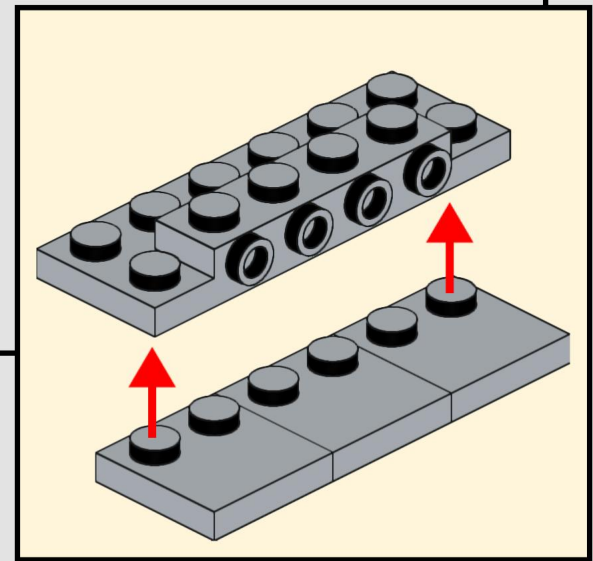
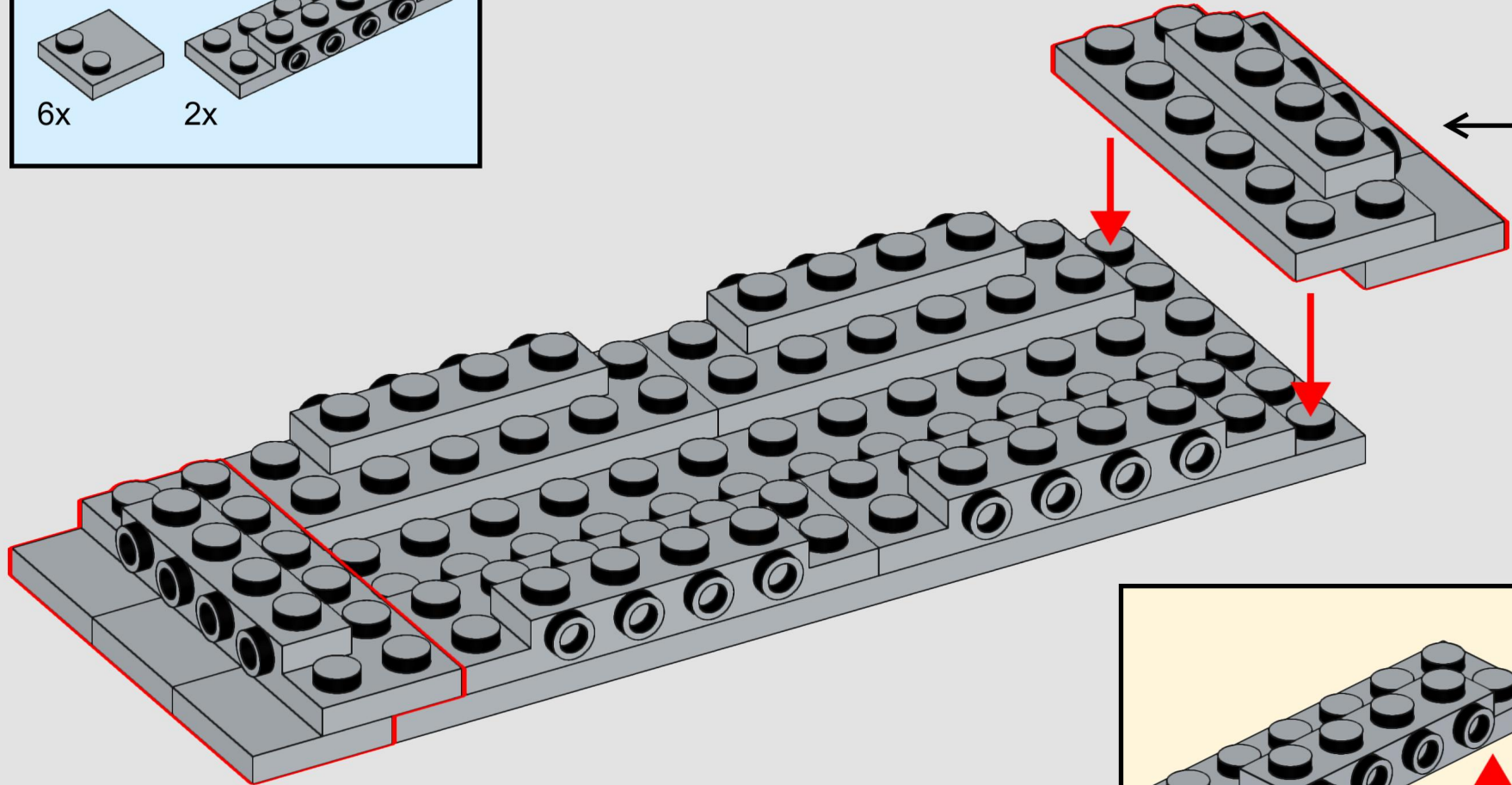
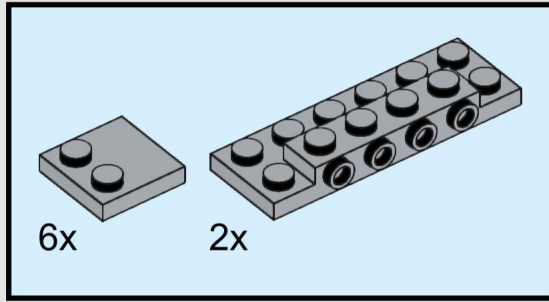
1



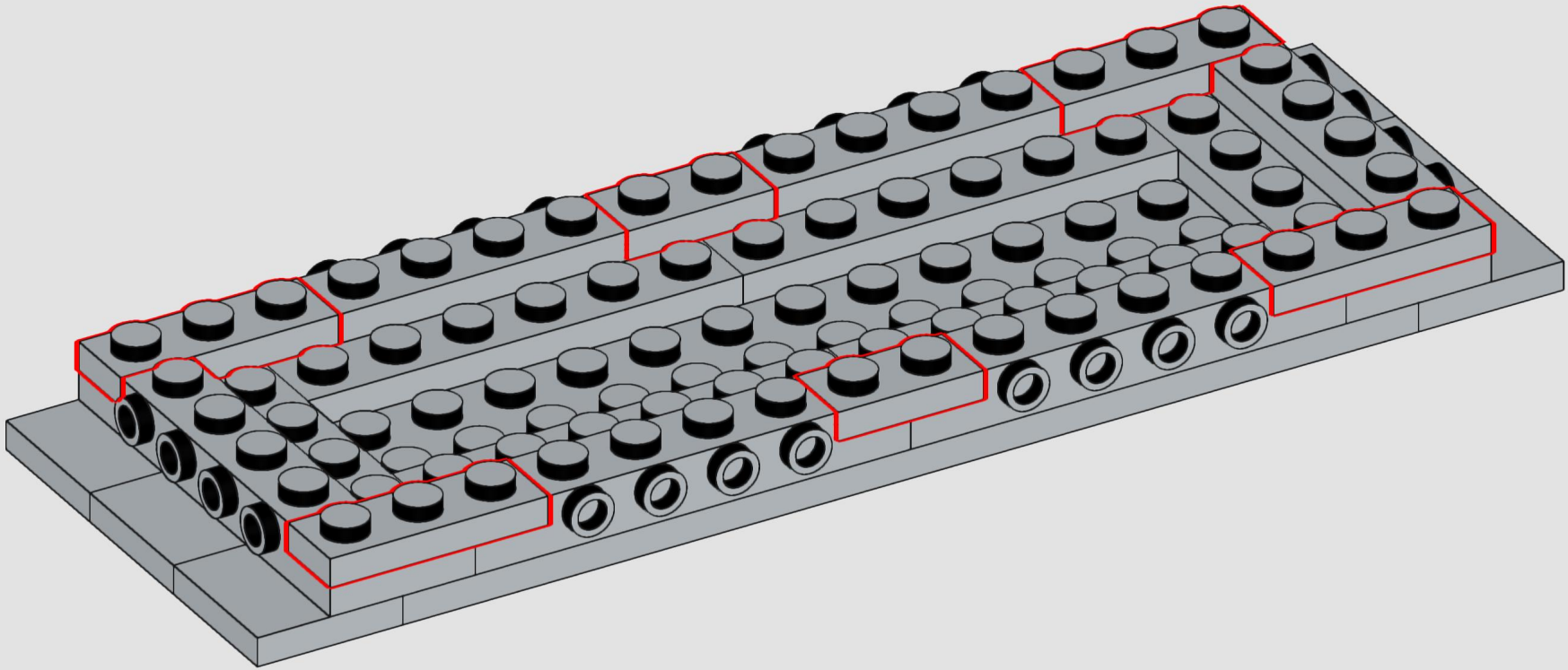
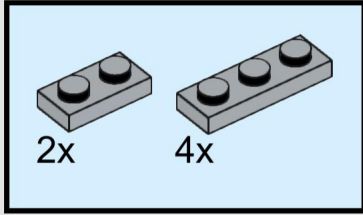
2



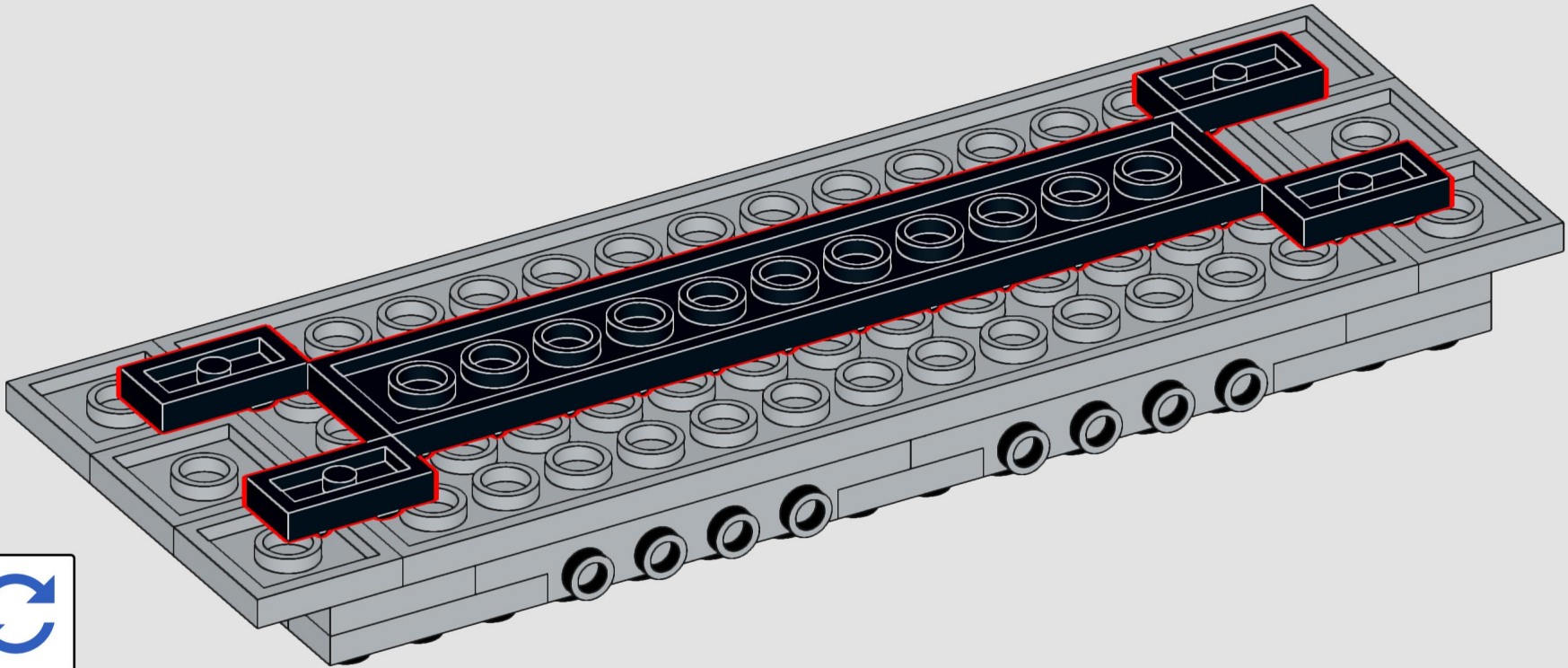
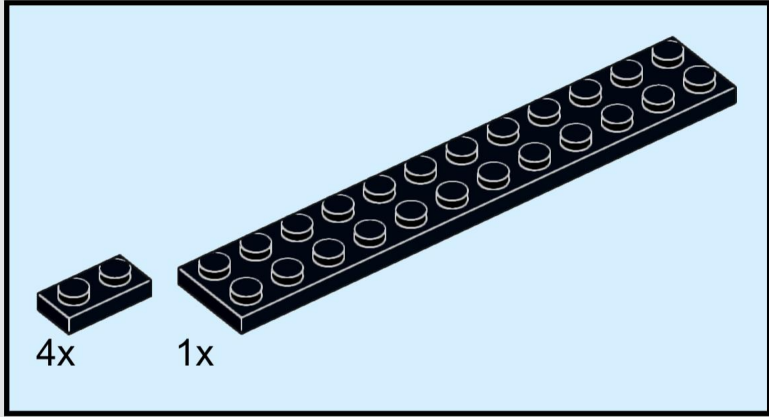
3



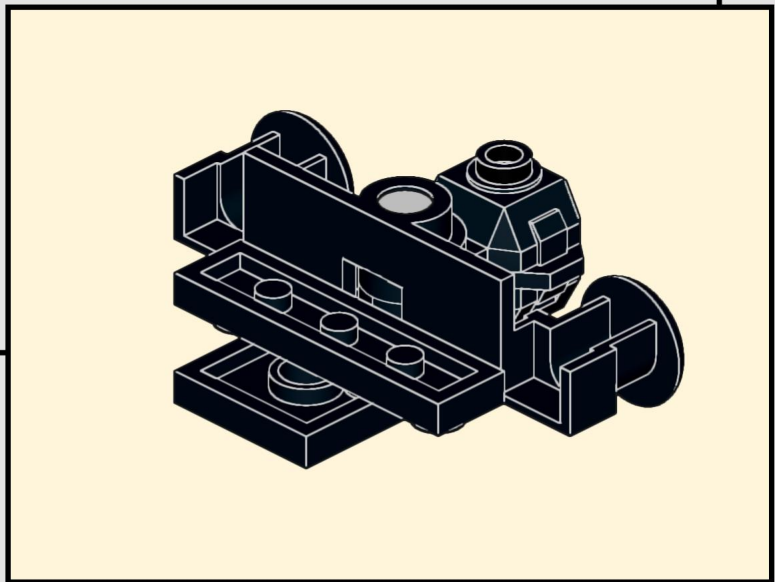
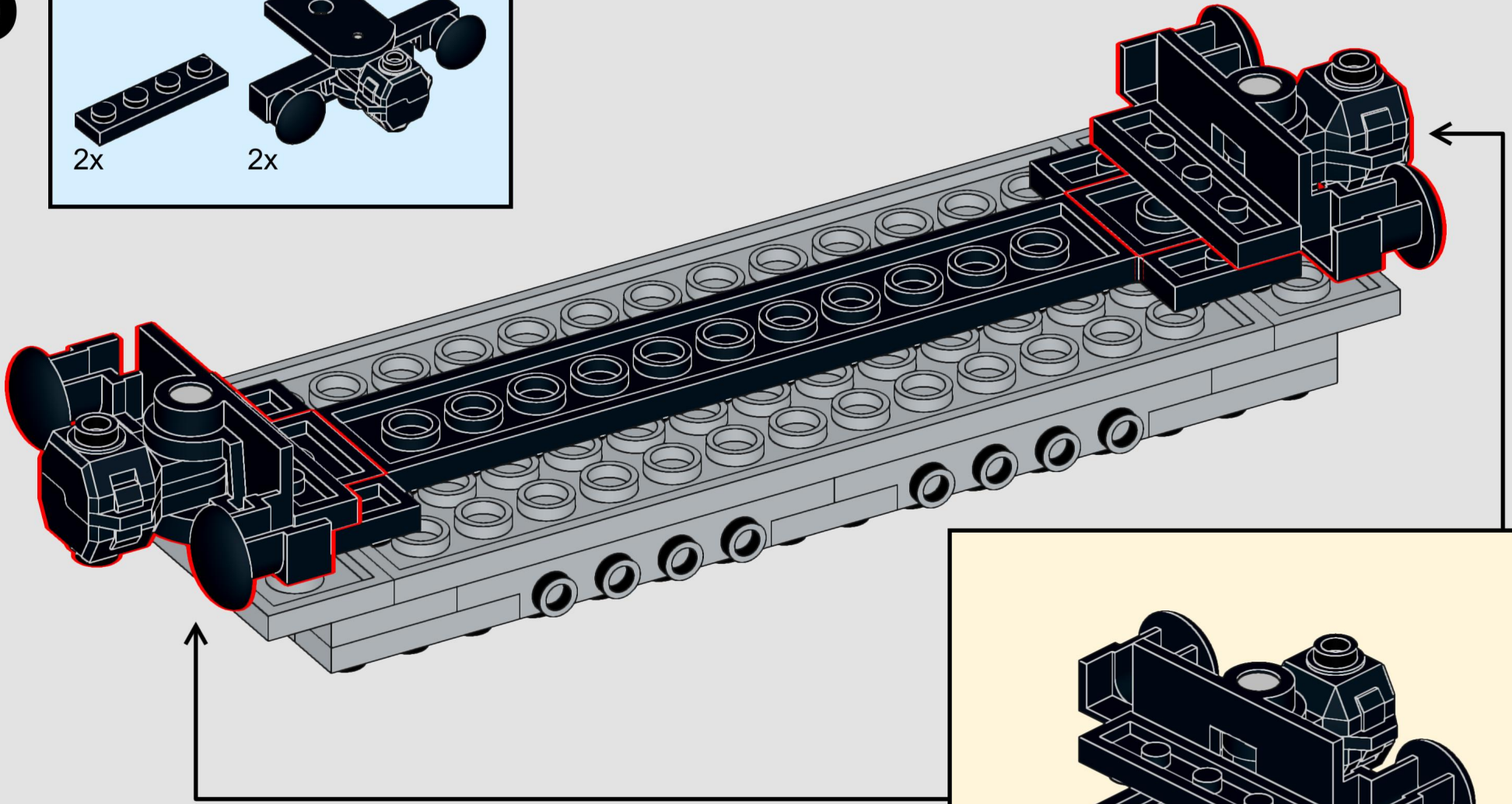
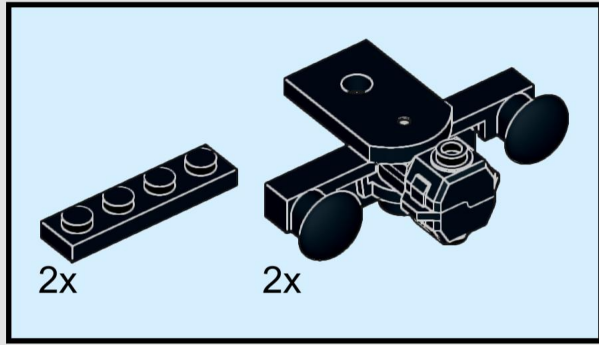
4



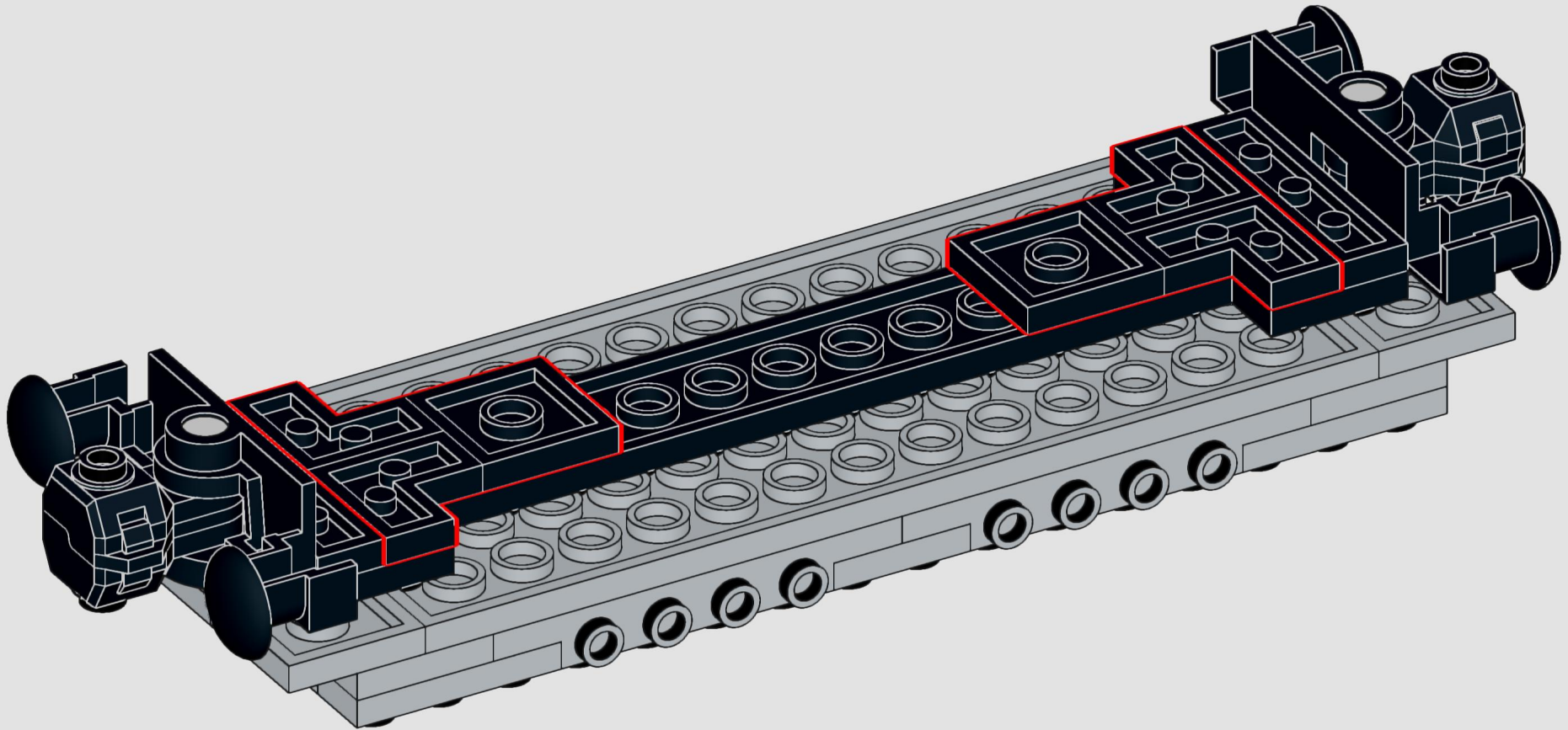
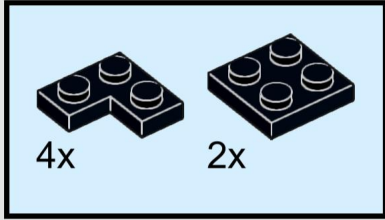
5



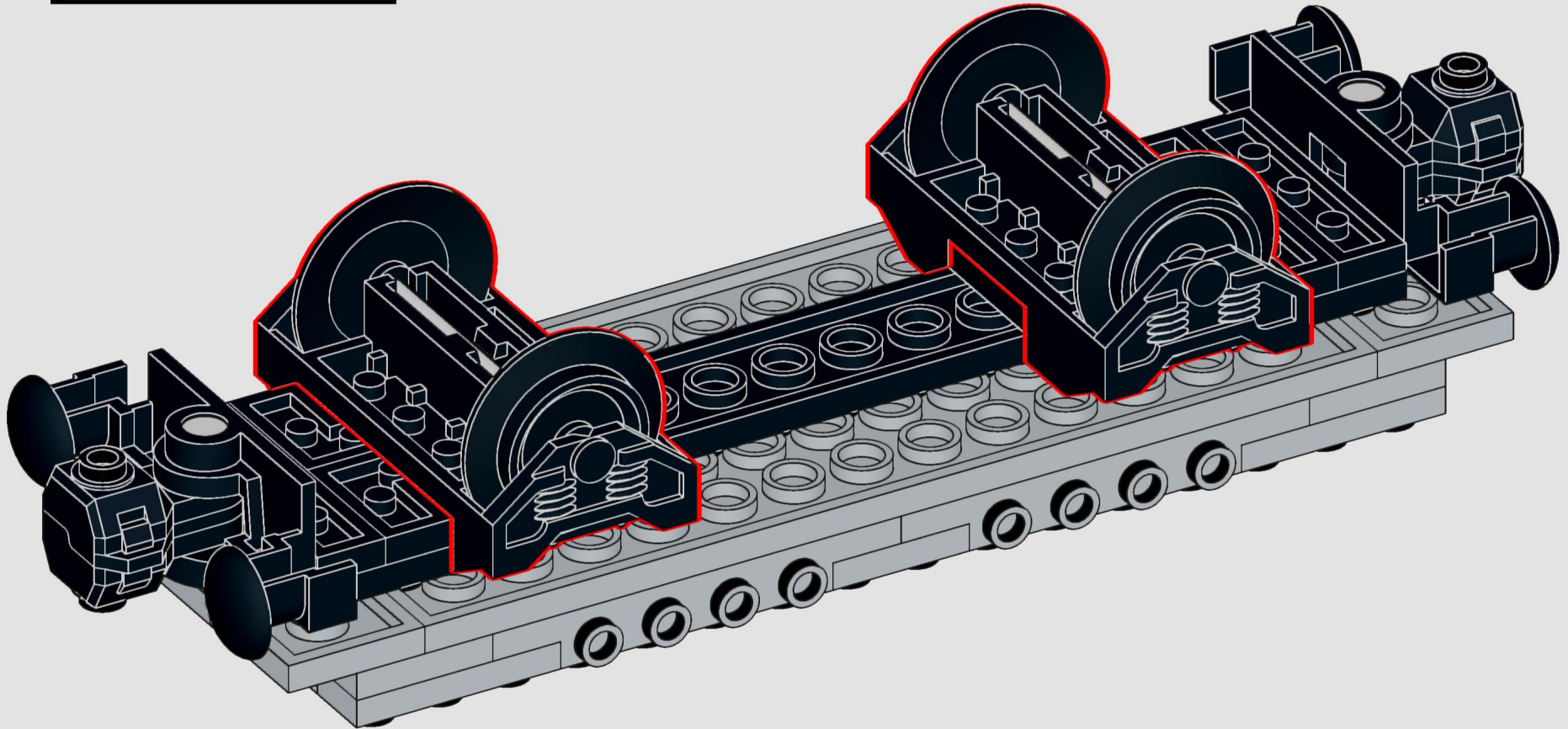
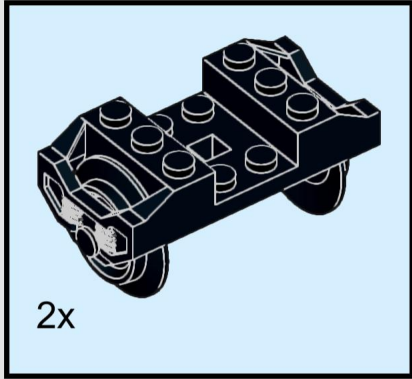
6



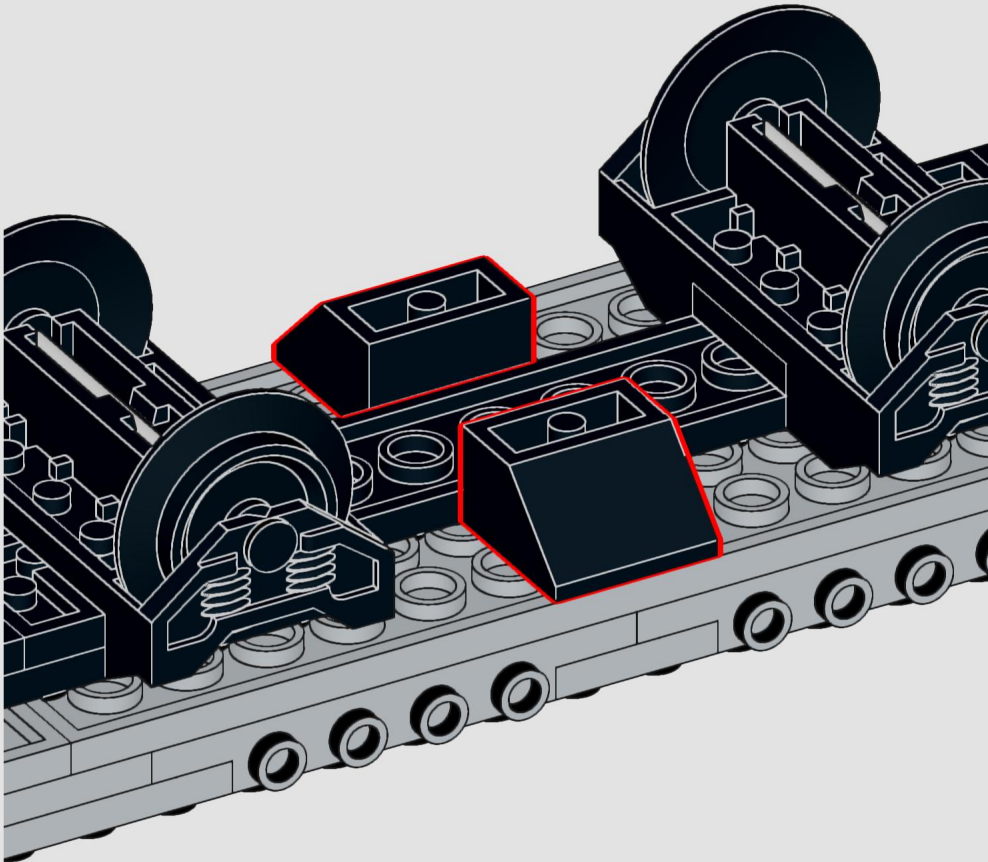
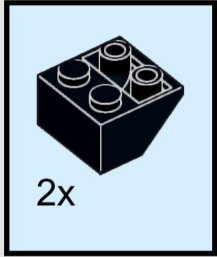
7



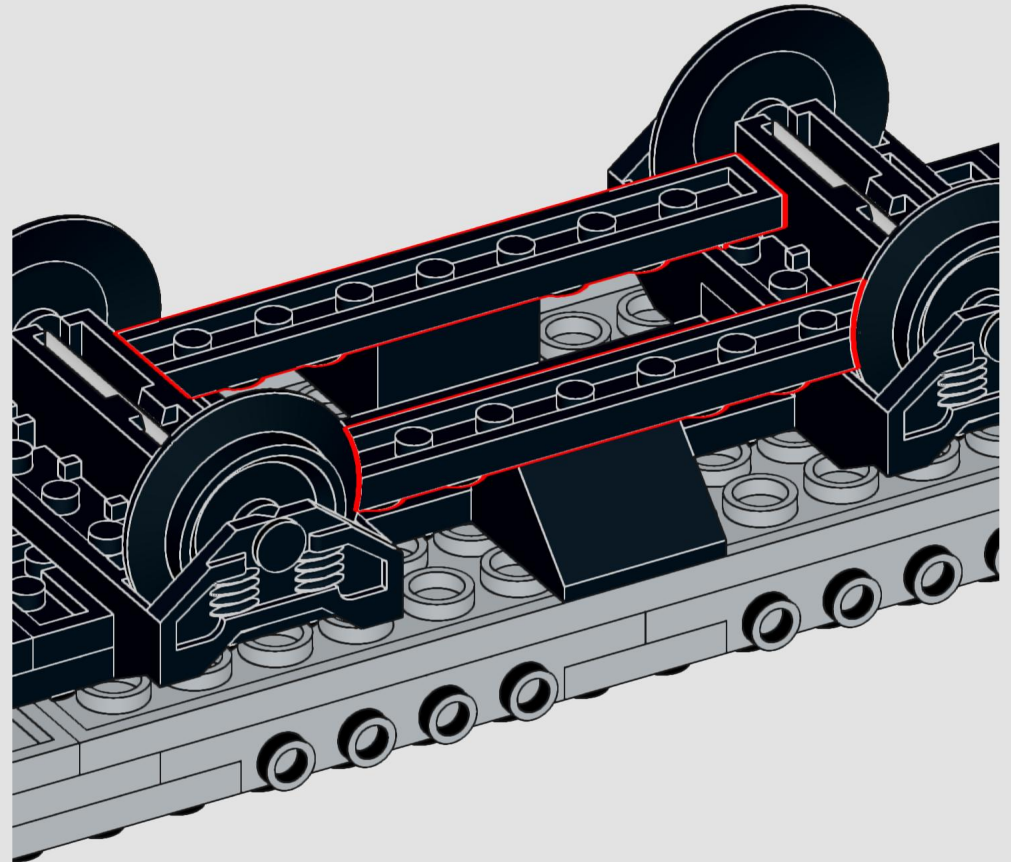
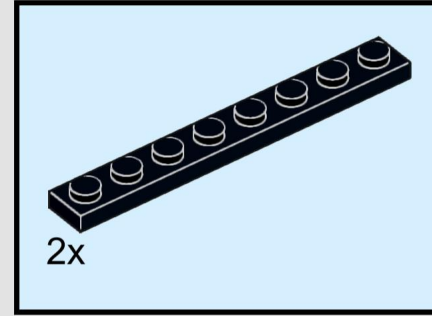
8



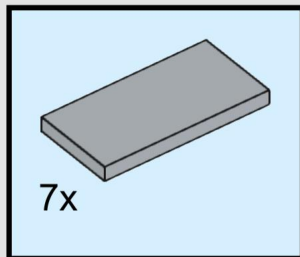
9



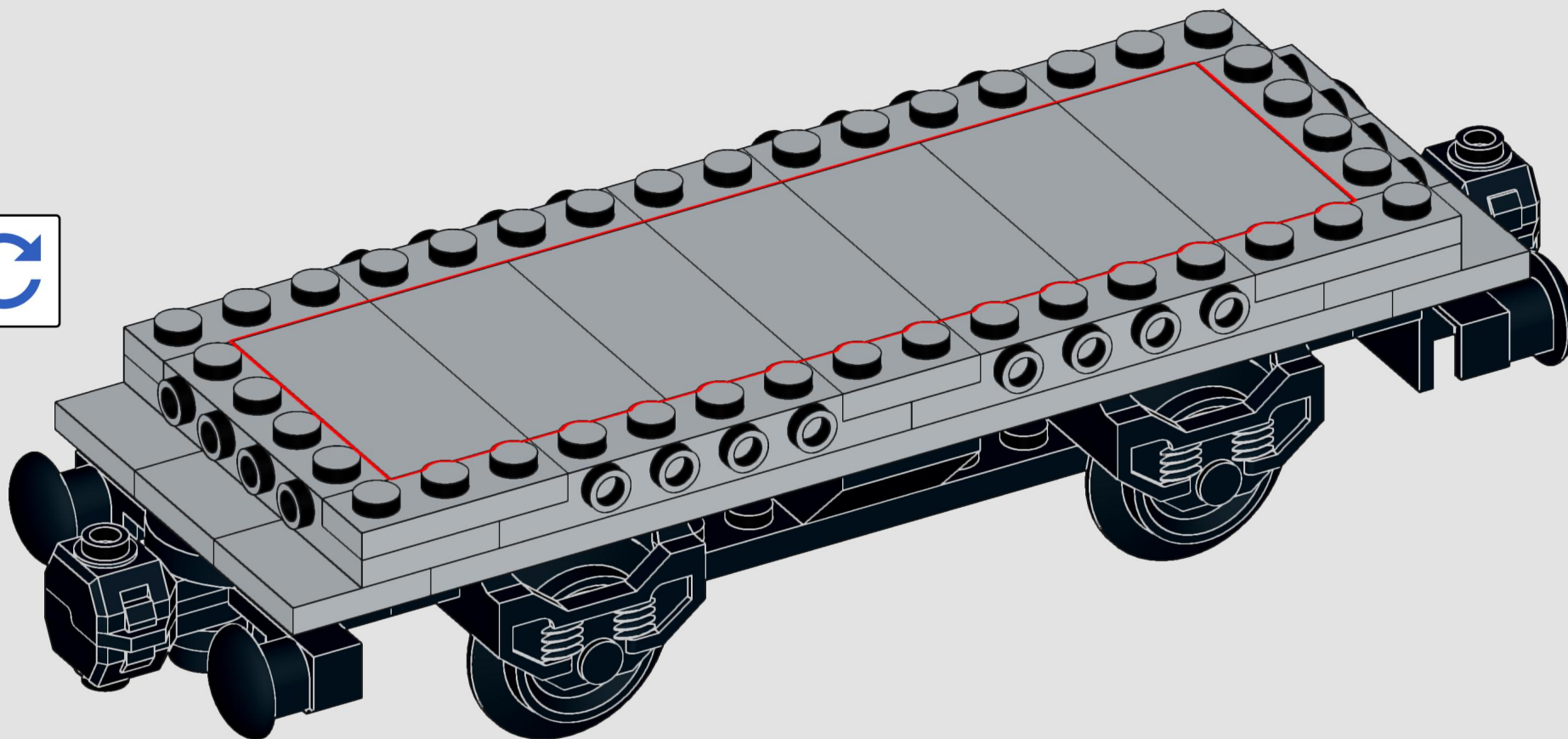
10



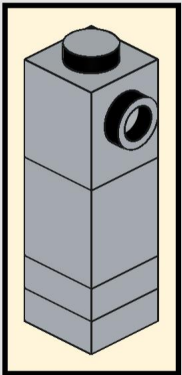
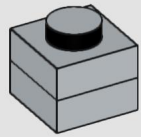
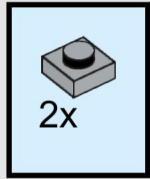
11



Skip this step, if you want to keep the cargo space bigger.

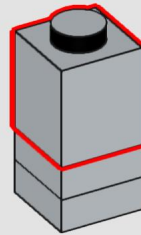
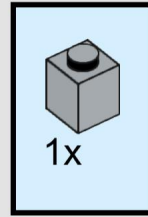


12

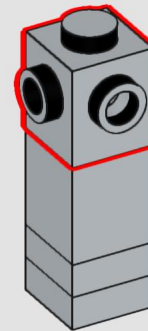
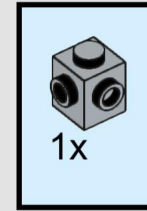


4x

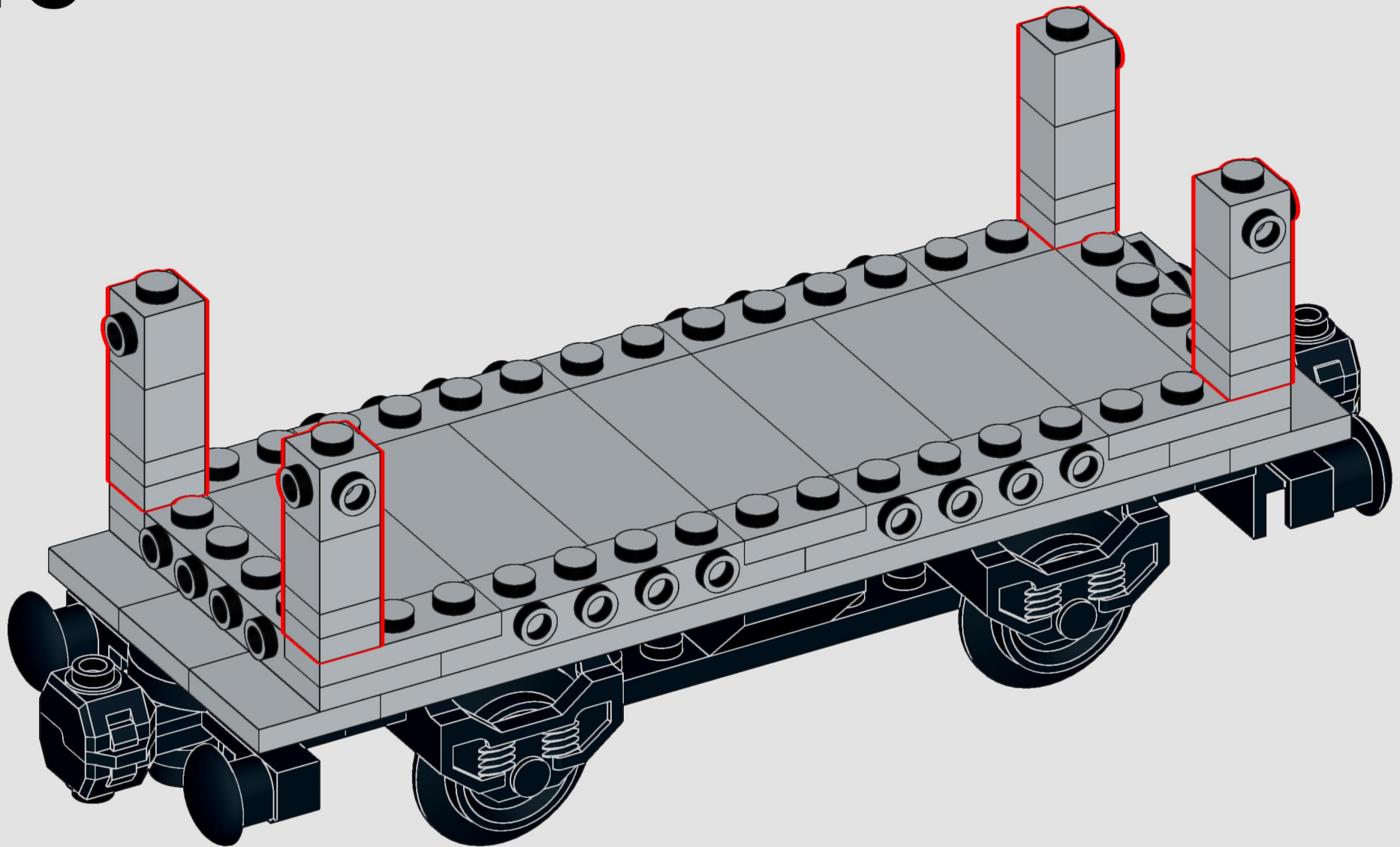
13



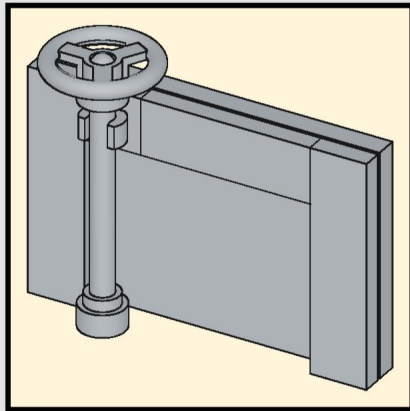
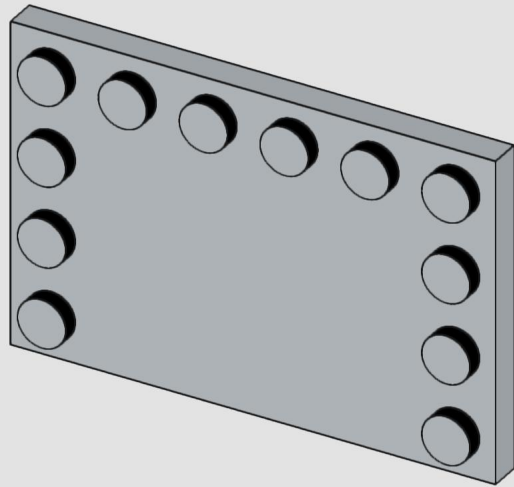
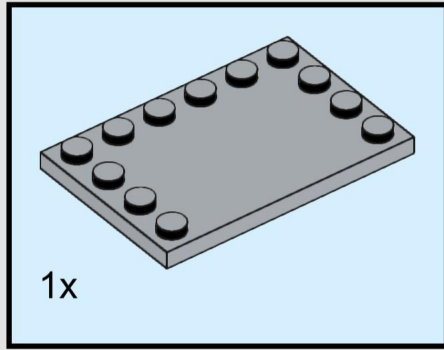
14



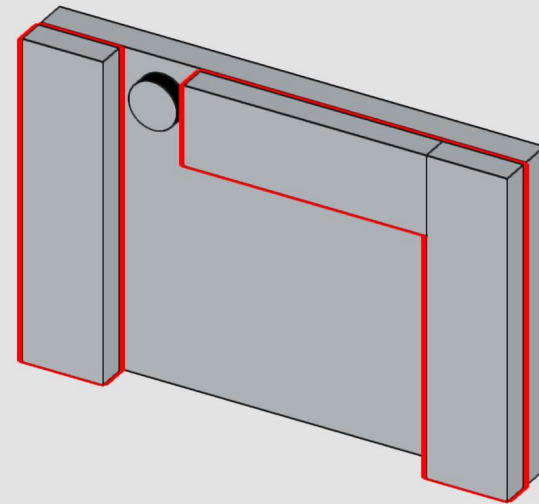
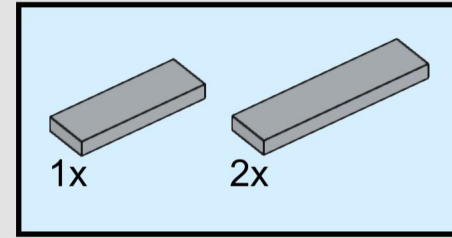
15



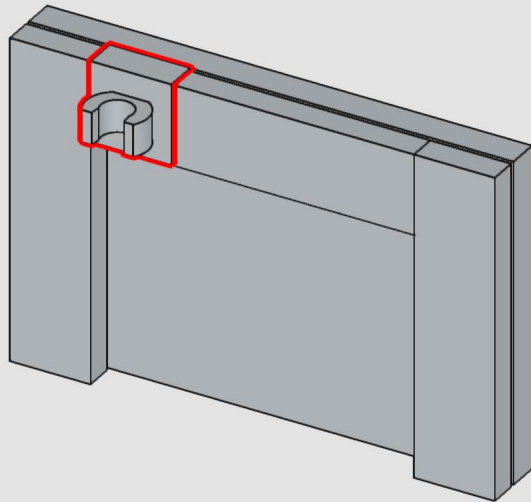
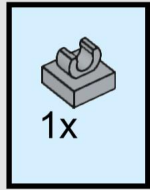
16



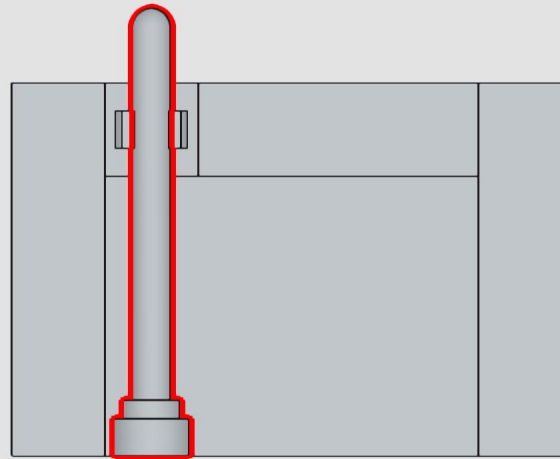
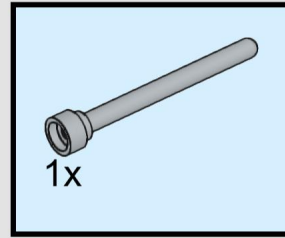
17



18

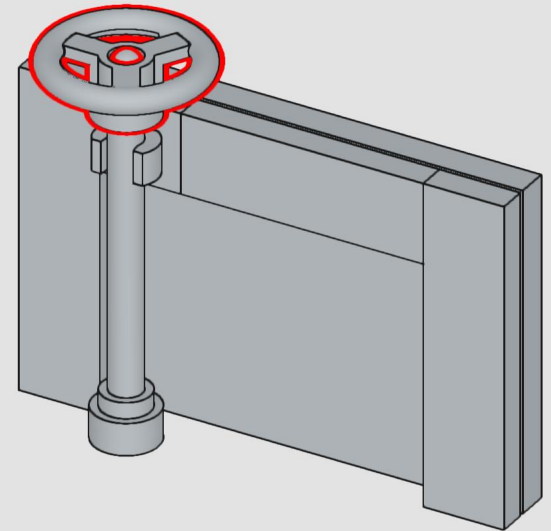
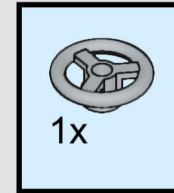


19

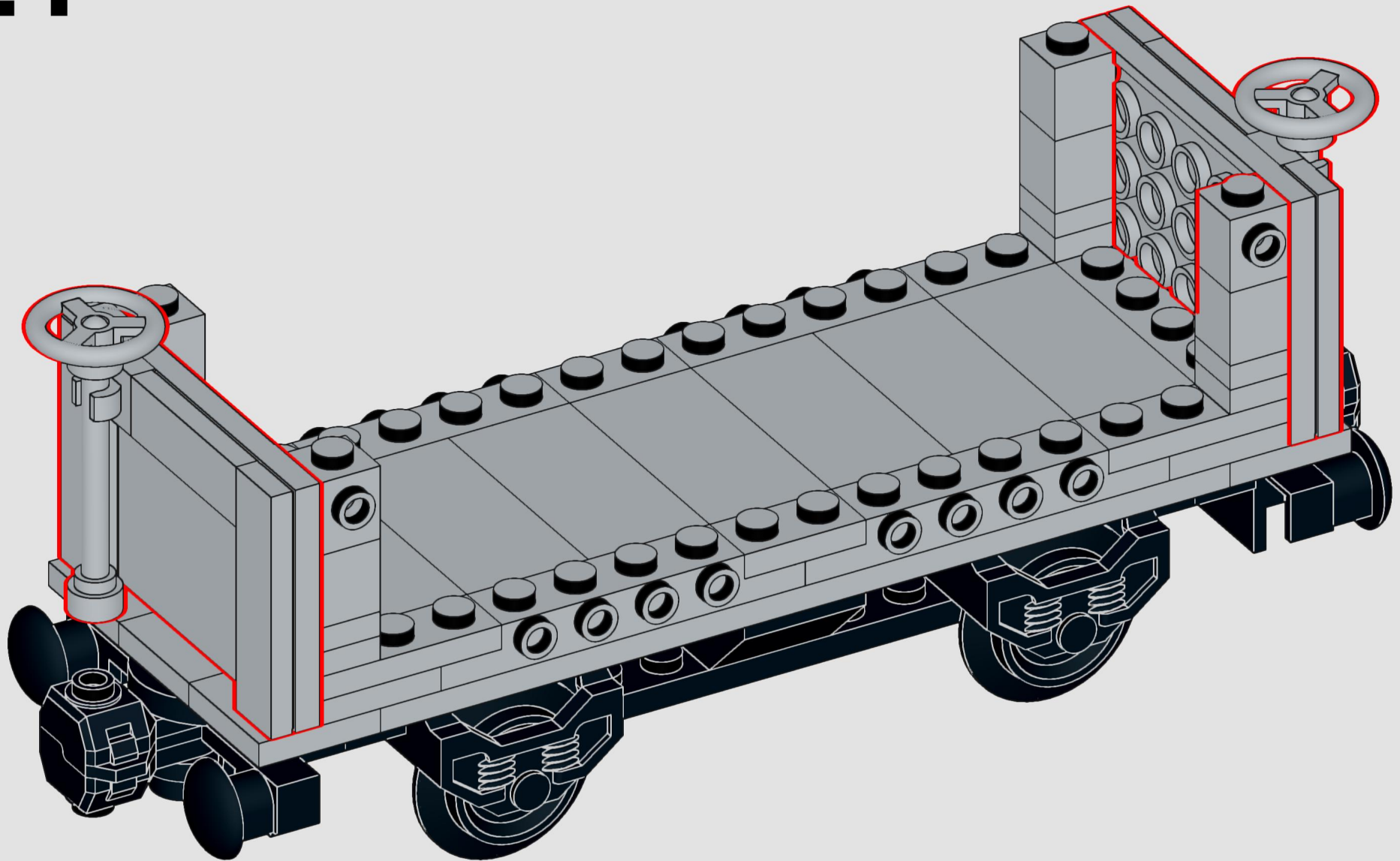


Keep in level with the base!

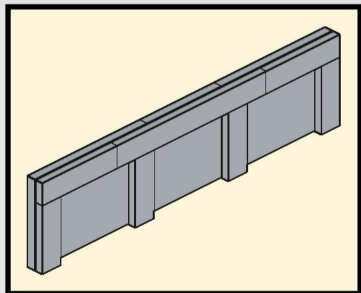
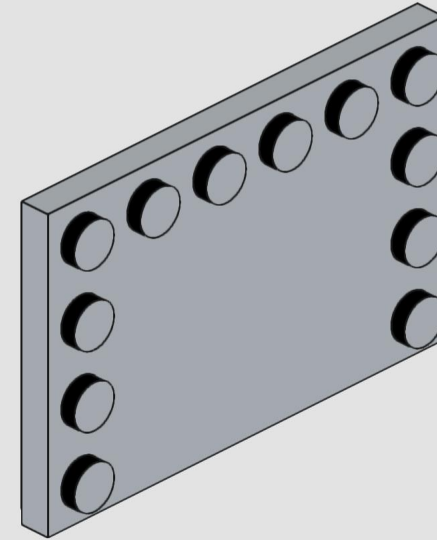
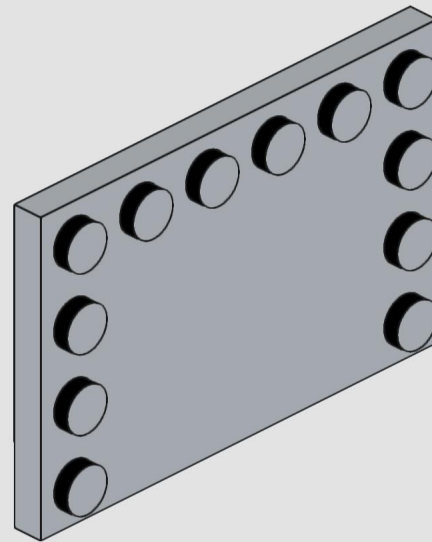
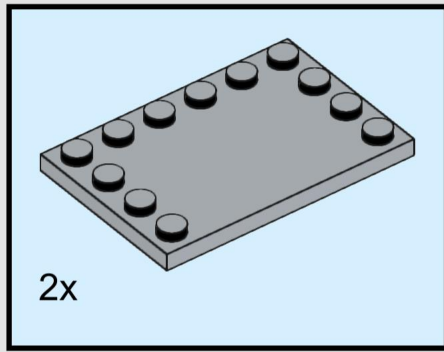
20



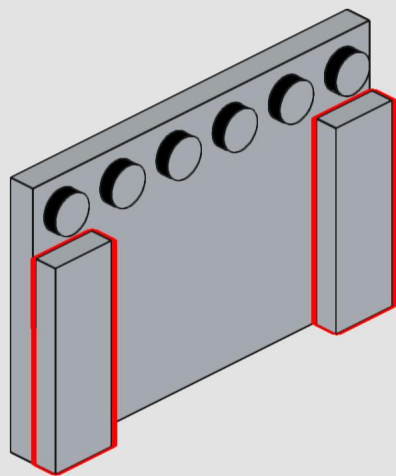
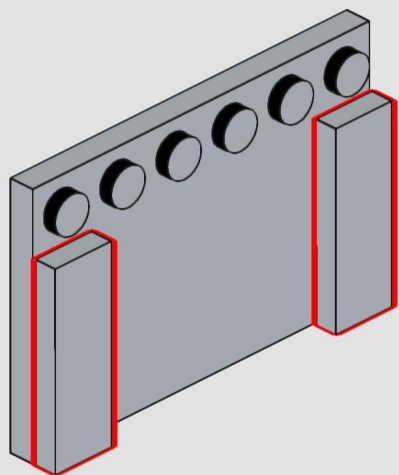
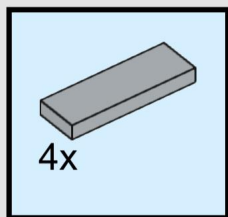
21



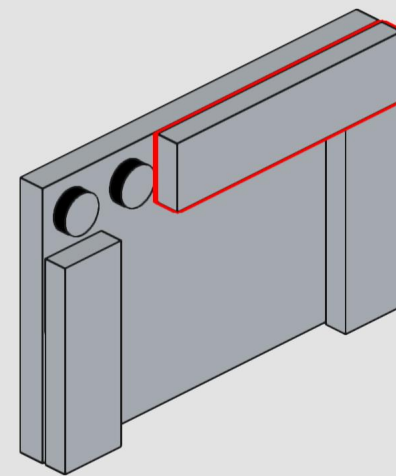
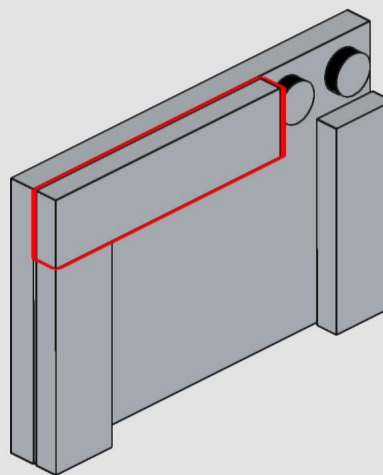
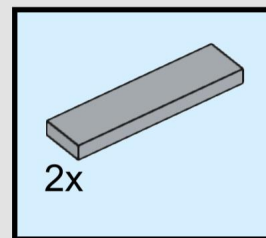
22



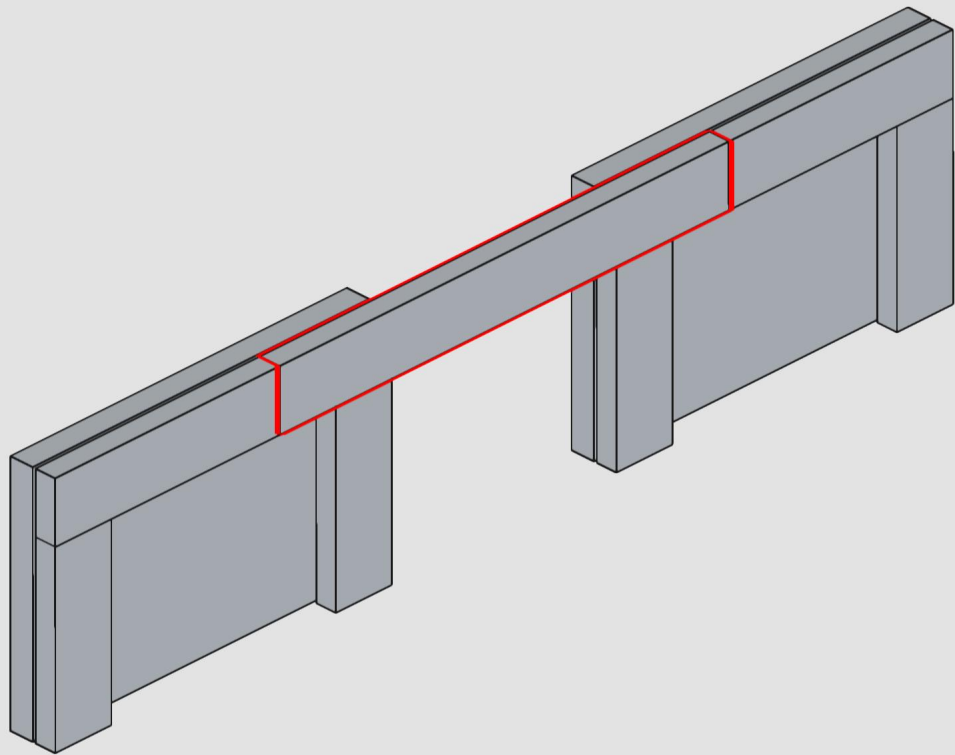
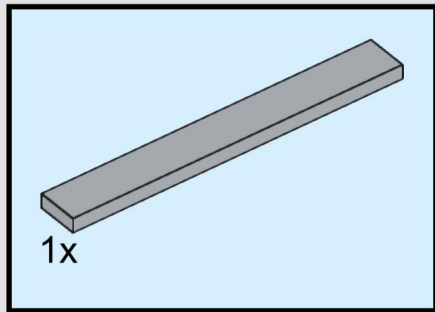
23



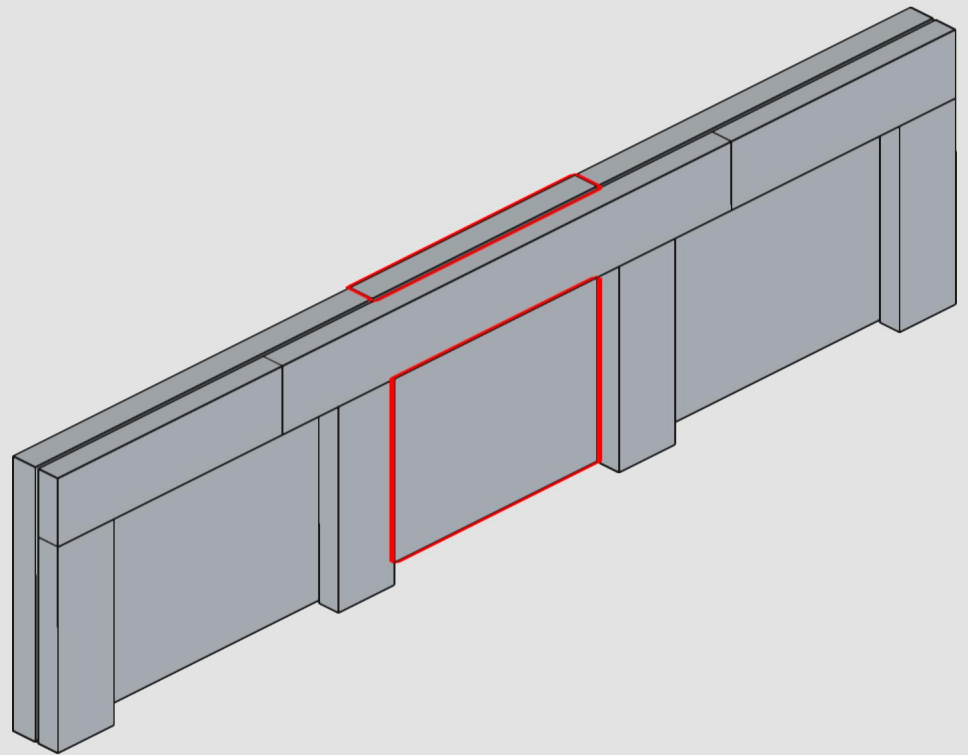
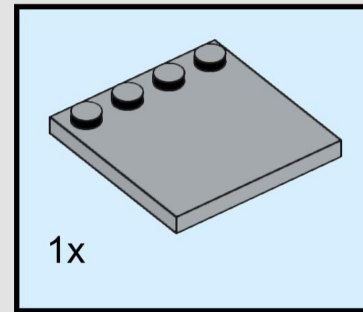
24



25



26



27

