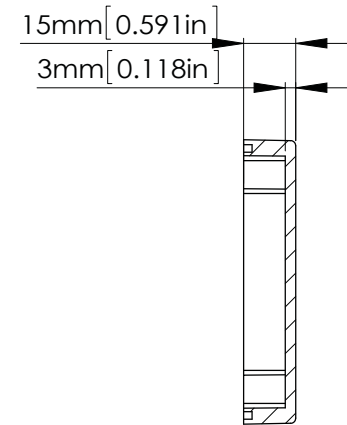
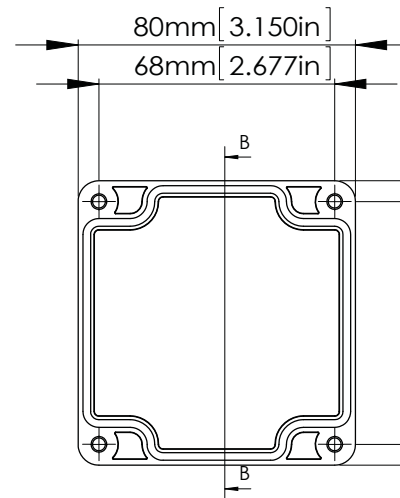
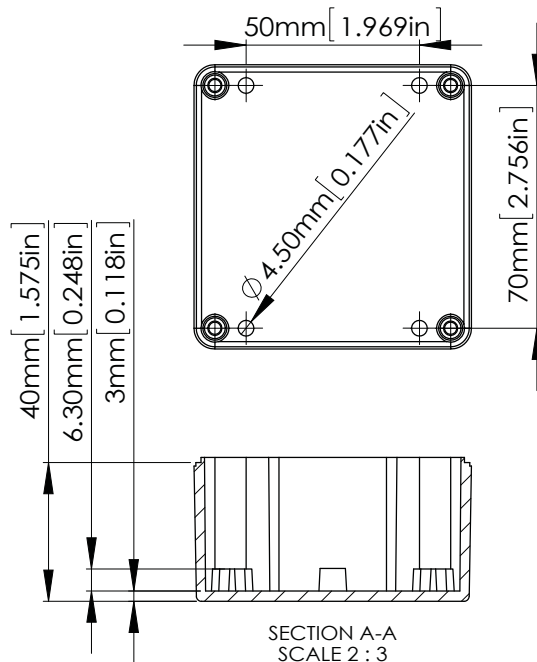


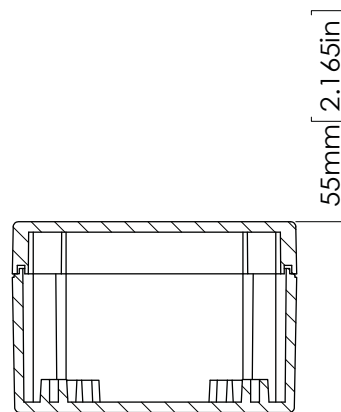
M3X5 LG.THREADED INSERT(4) PLACES.  
M4X8 LG.THREADED INSERT(4) PLACES.



SECTION B-B  
SCALE 2 : 3



SECTION A-A  
SCALE 2 : 3



ASSEMBLY

According to ISO 2768-m	
Measuring DIM=L	Tolerances
0.5<L<=3.0mm	±0.1mm
3.0<L<=6.0 mm	±0.1mm
6.0<L<=30.0 mm	±0.2mm
30.0<L<=120.0 mm	±0.3mm
120.0<L<=400.0 mm	±0.5mm
400.0<L<=1000.0 mm	±0.8mm

宣又實業有限公司  
GAINTA INDUSTRIES LTD.

繪圖 DRA'D BY  
JACKY

日期 DATE  
2018/05/02

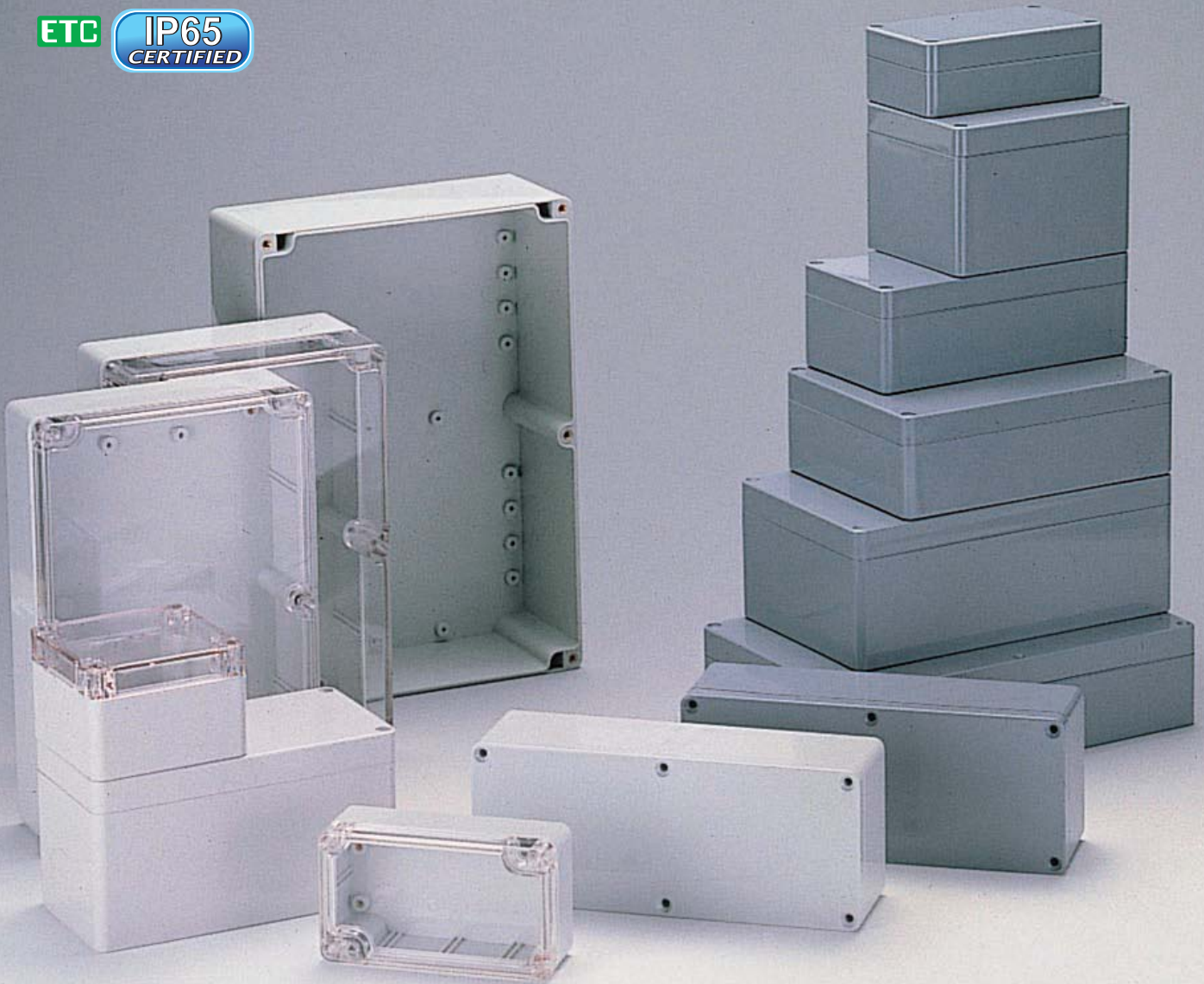
材質 MATE.  
PC/ABS

圖名TITLE:  
G256;G366

圖號DWG NO:

版次REVISED:  
E

## SEALED POLYCARBONATE AND ABS ENCLOSURES



### PRODUCT INFORMATION

- The lid and base incorporate a tongue and groove sealing system with a EPDM gasket.
- Wall mounting holes and lid fixing screws are outside the sealing area thus preventing the ingress of moisture and dust.
- Designed to IP65 of IEC 529 (Dust and Hoseproof).
- Available with clear or light grey lids.
- Internal guide slots for mounting PCB assemblies vertically.
- Bosses on internal base allow fixing of PCB's horizontally or connection of terminals with M3X4mm self-tapping screws.

# PC

- Material: Polycarbonate (UL94-HB)
- Moulded in: Light Grey.
- Operating temperature: -40°C to 120°C.
- Clear lid is available on request.

# ABS

- Material: High Impact ABS (UL94-HB)
- Moulded in: Dark Grey.
- Operating temperature: -20°C to 80°C

Example



G258



G258C



G362

### MATERIAL: POLYCARBONATE

ITEM No.	COLOR		ITEM No.	COLOR	
	LID	BASE		LID	BASE
G201	Light Grey		G201C	Clear	Light Grey
G202	Light Grey		/	Clear	Light Grey
G203	Light Grey		G203C	Clear	Light Grey
G205	Light Grey		G205C	Clear	Light Grey
G212	Light Grey		G212C	Clear	Light Grey
G214	Light Grey		G214C	Clear	Light Grey
G218	Light Grey		G218C	Clear	Light Grey
G221	Light Grey		G221C	Clear	Light Grey
G223	Light Grey		G223C	Clear	Light Grey
G229	Light Grey		G229C	Clear	Light Grey
G232	Light Grey		G232C	Clear	Light Grey
G238	Light Grey		G238C	Clear	Light Grey
G250	Light Grey		G250C	Clear	Light Grey
G256	Light Grey		G256C	Clear	Light Grey
G258	Light Grey		G258C	Clear	Light Grey
G265	Light Grey		G265C	Clear	Light Grey
G269	Light Grey		G269C	Clear	Light Grey
G278	Light Grey		G278C	Clear	Light Grey
G279	Light Grey		G279C	Clear	Light Grey
G287	Light Grey		G287C	Clear	Light Grey
G288	Light Grey		G288C	Clear	Light Grey
G2018	Light Grey		G2018C	Clear	Light Grey
G2025	Light Grey		G2025C	Clear	Light Grey
G2029	Light Grey		G2029C	Clear	Light Grey
G2038	Light Grey		G2038C	Clear	Light Grey
G2058	Light Grey		G2058C	Clear	Light Grey

### MATERIAL: ABS

ITEM No.	COLOR		EXTERNAL DIMENSION(mm)
	LID	BASE	
G302	Dark Grey		64 x 58 x 35
G303	Dark Grey		184 x 36 x 35
G304	Dark Grey		115 x 65 x 40
G308	Dark Grey		115 x 65 x 55
G311	Dark Grey		115 x 90 x 55
G313	Dark Grey		171 x 121 x 55
G317	Dark Grey		222 x 146 x 55
G331	Dark Grey		115 x 90 x 80
G340	Dark Grey		171 x 121 x 80
G346	Dark Grey		195 x 80 x 55
G353	Dark Grey		222 x 146 x 75
G378	Dark Grey		265 x 185 x 95
G362	Dark Grey		52 x 50 x 35
G366	Dark Grey		82 x 80 x 55
G368	Dark Grey		160 x 80 x 55
G369	Dark Grey		160 x 80 x 85
G373	Dark Grey		200 x 120 x 75
G386	Dark Grey		120 x 120 x 60
G387	Dark Grey		120 x 120 x 90
G396	Dark Grey		160 x 160 x 60
G399	Dark Grey		160 x 160 x 90
G3008	Dark Grey		240 x 160 x 90
G3019	Dark Grey		240 x 160 x 120
G3028	Dark Grey		300 x 230 x 86
G3031	Dark Grey		300 x 230 x 111
G3039	Dark Grey		360 x 200 x 150

► Lid fixing screw are M4 stainless steel (non-magnetic) into threaded brass inserts.

# SEALED POLYCARBONATE AND ABS ENCLOSURES WITH MOUNTING FLANGE



## PRODUCT INFORMATION

- The lid and base incorporate a tongue and groove sealing system with a EPDM gasket.
- Wall mounting holes and lid fixing screws are outside the sealing area thus preventing the ingress of moisture and dust.
- Designed to IP65 of IEC 529 (Dust and Hoseproof).
- Bosses on internal base allow fixing of PCB's horizontally or connection of terminals with M3X4mm self-tapping screws.
- Internal guide slots for mounting PCB assemblies vertically.
- Available with clear or light grey lids.



G256MF



G258CMF



G366MF



G256MF



G258CMF



G366MF

**PC**  
(G2XXMF)  
(G2XXCMF)

- Material: Polycarbonate (UL94-HB)
- Moulded in: Light Grey.
- Operating temperature: -40°C to 120°C.
- Clear lid is available on request.
- Mounting flange is designed on the bottom of the base, so the base can be mounted with pan head type of screws on the wall easily.  
\*\*Detailed screw size please refer the product drawing.

**ABS**  
(G3XXMF)

- Material: High Impact ABS (UL94-HB)
- Moulded in: Dark Grey.
- Operating temperature: -20°C to 80°C
- Mounting flange is designed on the bottom of the base, so the base can be mounted with pan head type of screws on the wall easily.  
\*\*Detailed screw size please refer the product drawing.

MATERIAL: POLYCARBONATE					
ITEM No.	COLOR		ITEM No.	COLOR	
	LID	BASE		LID	BASE
<b>G201MF</b>	Light Grey		<b>G201CMF</b>	Clear	Light Grey
<b>G203MF</b>	Light Grey		<b>G203CMF</b>	Clear	Light Grey
<b>G205MF</b>	Light Grey		<b>G205CMF</b>	Clear	Light Grey
<b>G212MF</b>	Light Grey		<b>G212CMF</b>	Clear	Light Grey
<b>G221MF</b>	Light Grey		<b>G221CMF</b>	Clear	Light Grey
<b>G214MF</b>	Light Grey		<b>G214CMF</b>	Clear	Light Grey
<b>G223MF</b>	Light Grey		<b>G223CMF</b>	Clear	Light Grey
<b>G218MF</b>	Light Grey		<b>G218CMF</b>	Clear	Light Grey
<b>G232MF</b>	Light Grey		<b>G232CMF</b>	Clear	Light Grey
<b>G200MF</b>	Light Grey		<b>G200CMF</b>	Clear	Light Grey
<b>G250MF</b>	Light Grey		<b>G250CMF</b>	Clear	Light Grey
<b>G256MF</b>	Light Grey		<b>G256CMF</b>	Clear	Light Grey
<b>G258MF</b>	Light Grey		<b>G258CMF</b>	Clear	Light Grey
<b>G265MF</b>	Light Grey		<b>G265CMF</b>	Clear	Light Grey
<b>G278MF</b>	Light Grey		<b>G278CMF</b>	Clear	Light Grey
<b>G279MF</b>	Light Grey		<b>G279CMF</b>	Clear	Light Grey

MATERIAL: ABS			
ITEM No.	COLOR		EXTERNAL DIMENSION(mm)
	LID	BASE	
<b>G302MF</b>	Dark Grey		64 x 58 x 35
<b>G304MF</b>	Dark Grey		115 x 65 x 40
<b>G308MF</b>	Dark Grey		115 x 65 x 55
<b>G311MF</b>	Dark Grey		115 x 90 x 55
<b>G331MF</b>	Dark Grey		115 x 90 x 80
<b>G313MF</b>	Dark Grey		171 x 121 x 55
<b>G340MF</b>	Dark Grey		171 x 121 x 80
<b>G317MF</b>	Dark Grey		222 x 146 x 55
<b>G353MF</b>	Dark Grey		222 x 146 x 75
<b>G300MF</b>	Dark Grey		90 x 35 x 35
<b>G362MF</b>	Dark Grey		52 x 50 x 35
<b>G366MF</b>	Dark Grey		82 x 80 x 55
<b>G368MF</b>	Dark Grey		160 x 80 x 55
<b>G369MF</b>	Dark Grey		160 x 80 x 85
<b>G386MF</b>	Dark Grey		120 x 120 x 60
<b>G387MF</b>	Dark Grey		120 x 120 x 90

► Lid fixing screw are M4 stainless steel (non-magnetic) into threaded brass inserts.